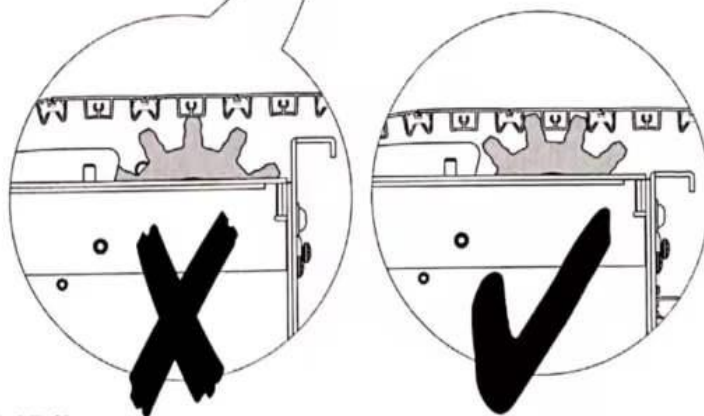
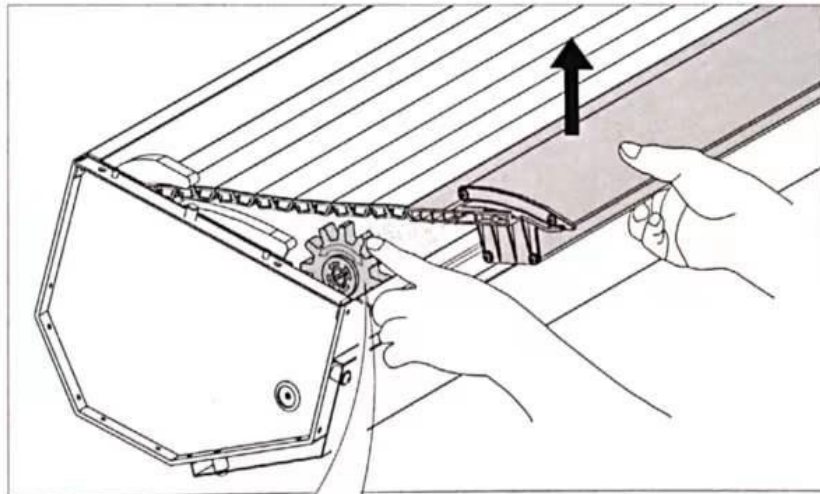
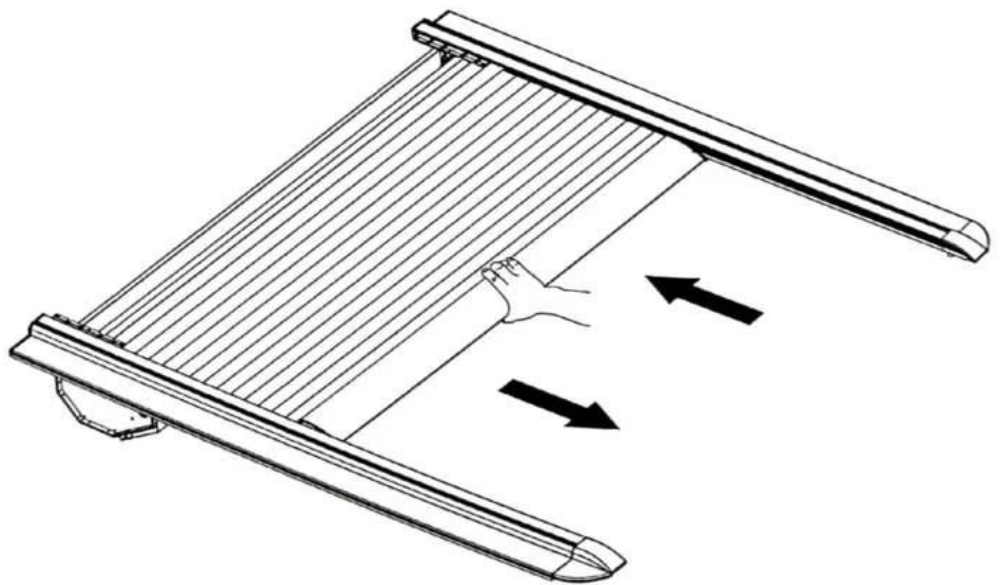
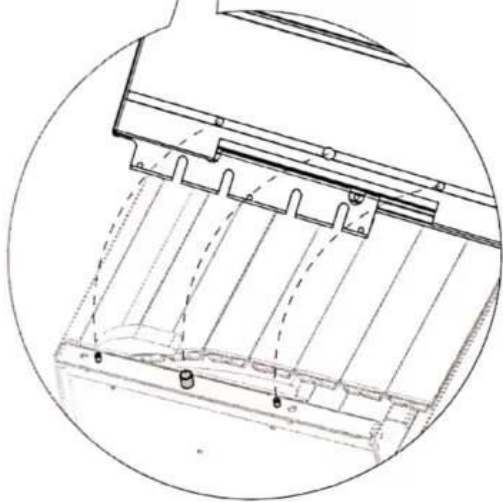
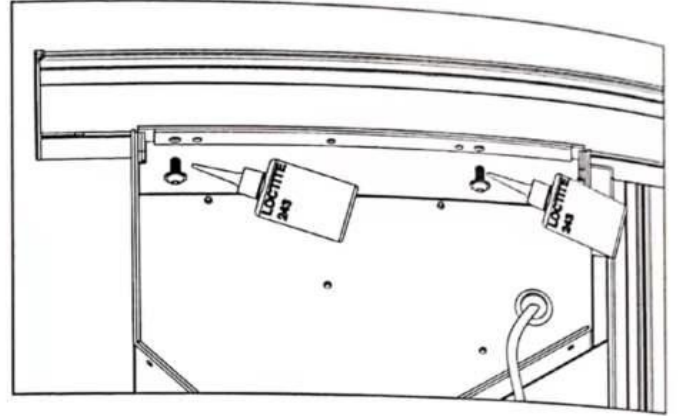
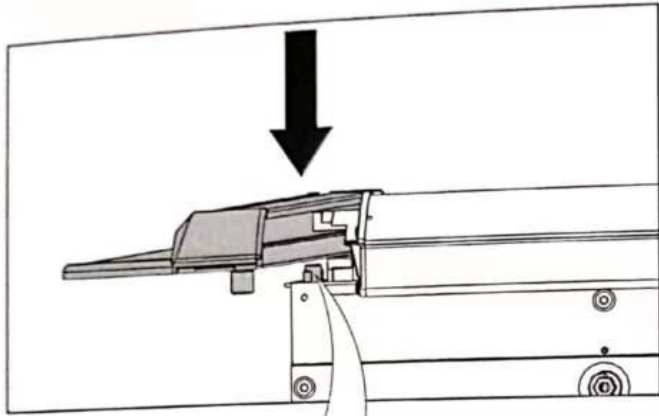
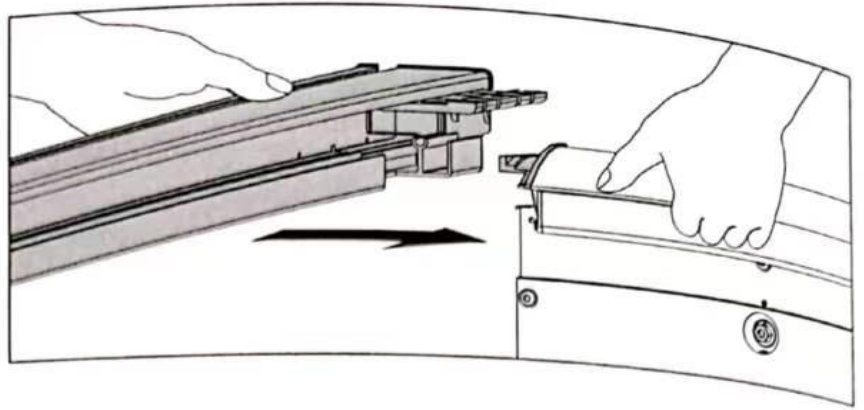
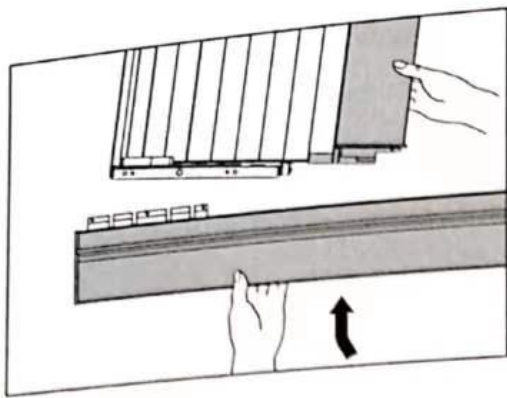


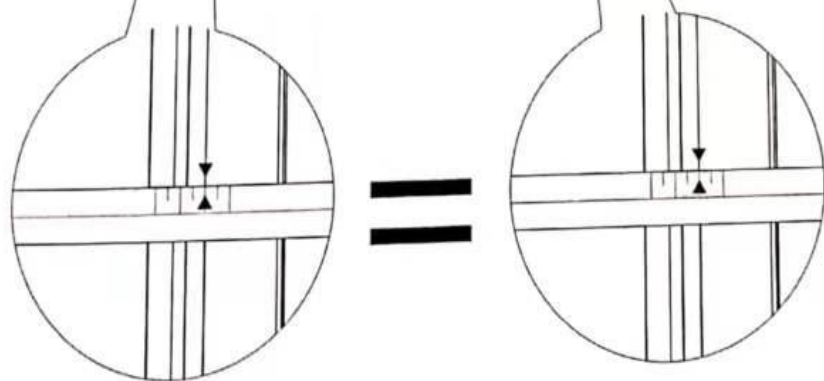
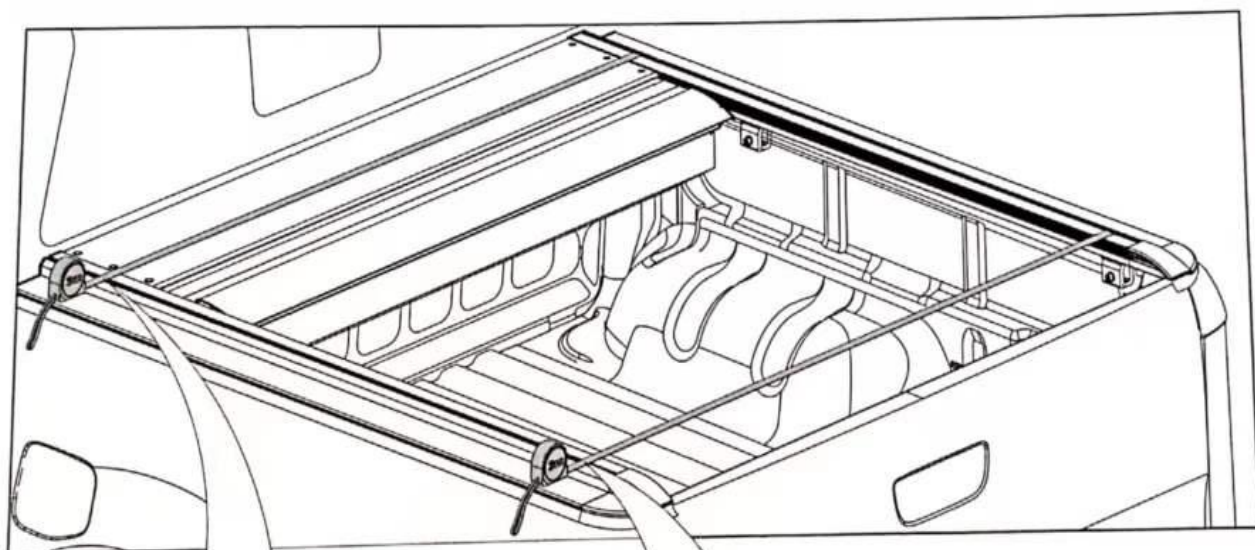
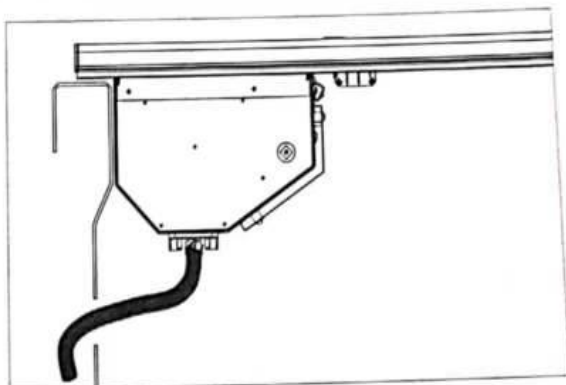
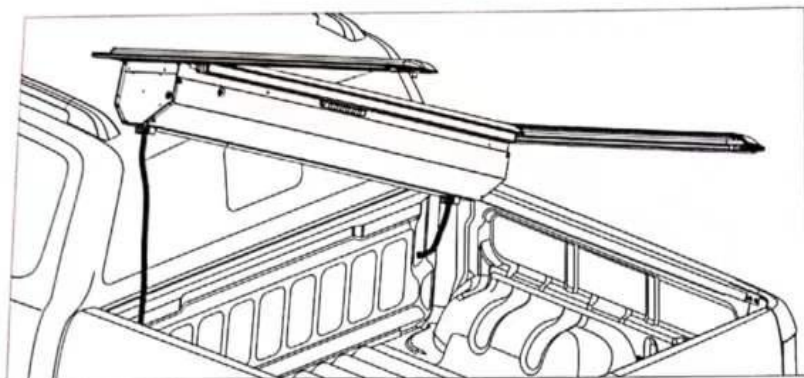
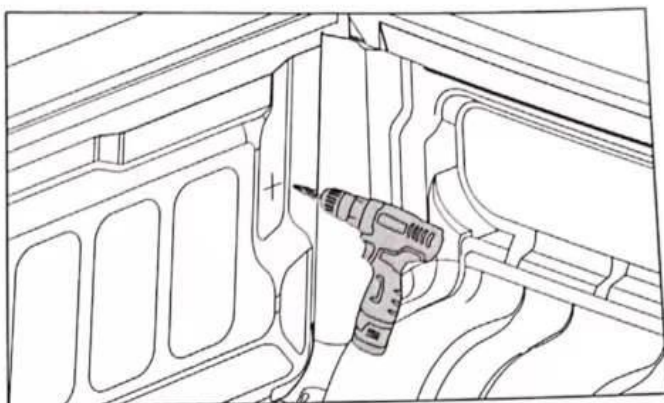
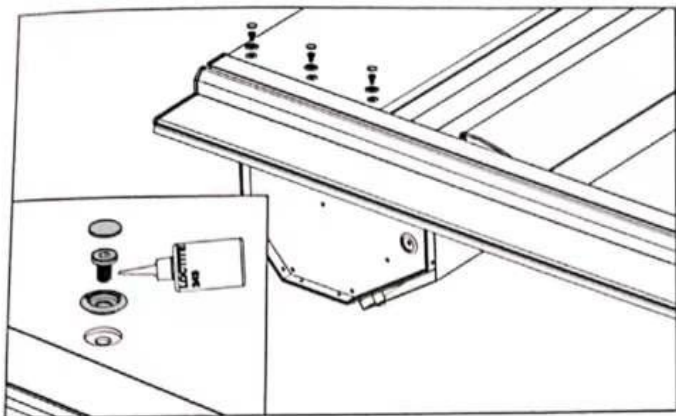
向顺时针方向转动把手，使齿轮脱离咬合
Turn the handle clockwise to disengage the gear.



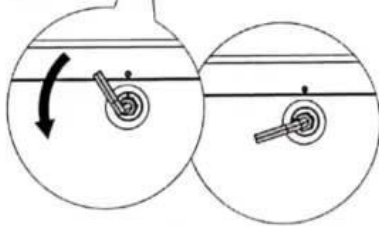
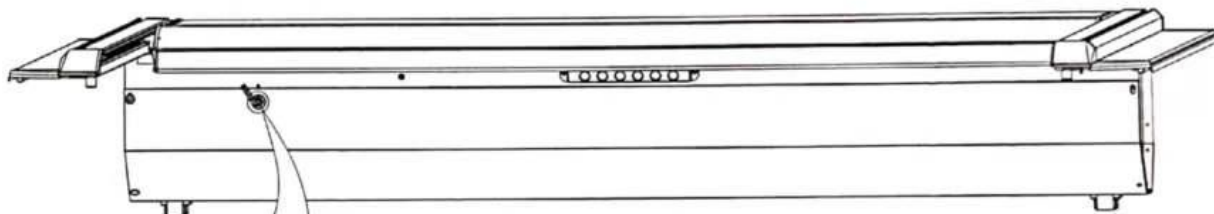
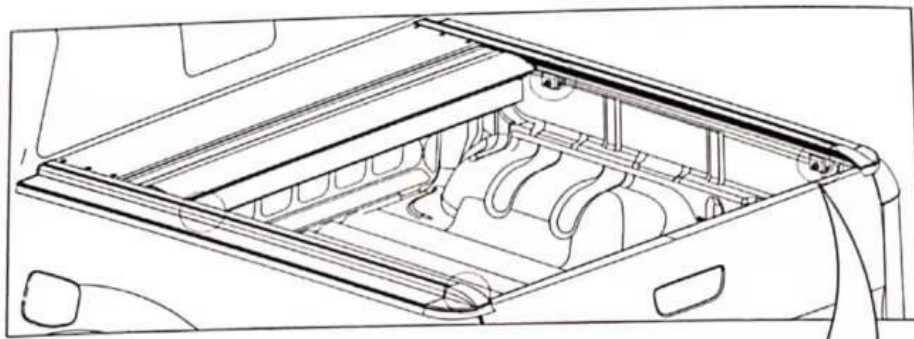
拨动齿轮，对准叶片槽位
Pull the gear to align the blade slot.



前后推拉卷帘以确保卷帘能顺畅地滑动
Push and pull the tonneau cover back and forth to ensure that the tonneau cover can slide smoothly

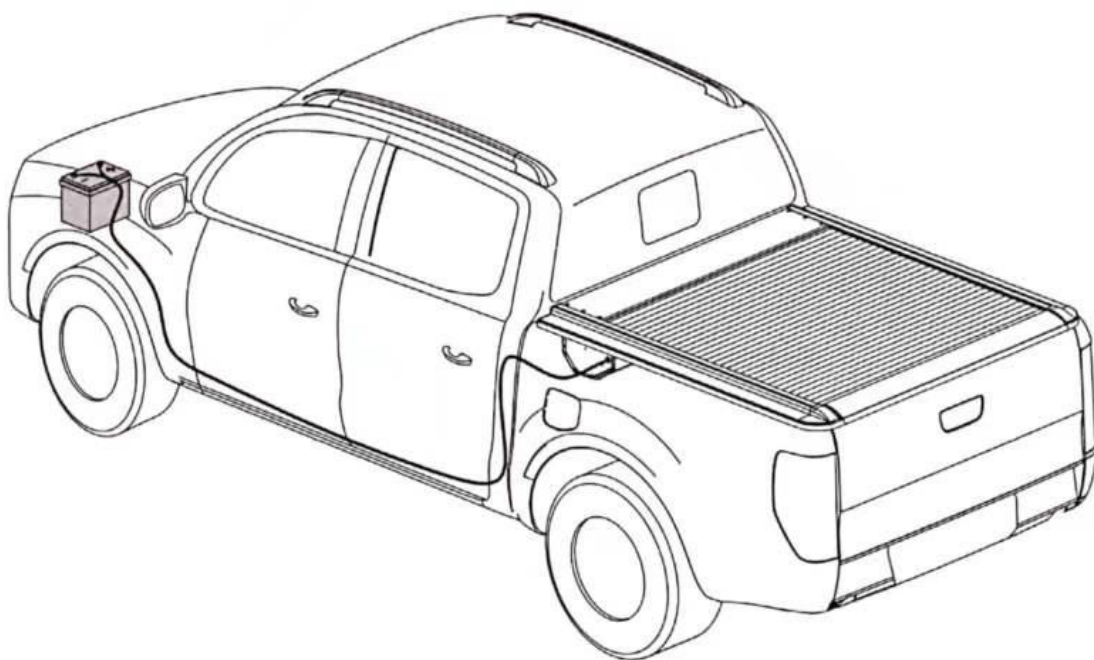


调整卷帘前后两端的宽度，要使前后两端的宽度一致
Adjust the width of the front and rear ends of the tonneau cover to make the width of the front and rear ends the same.



向逆时针方向转动把手，让齿轮咬合，使卷帘
切换为电动模式

Turn the handle counterclockwise to make
the gear engage, so as to switch the tonneau
cover to the electric mode.



电源线直接接入汽车电瓶

The power cord is directly connected to the car battery.